



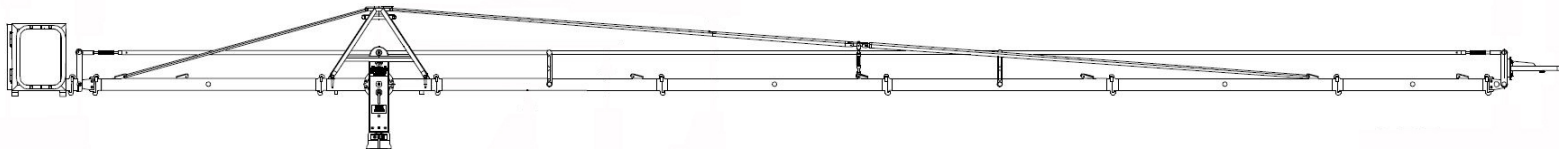
## Camera crane **GFM GF-9**

## Camera crane **GFM GF-9**

Next to the Jimmy Jib, the camera crane **GFM GF-9** is one of the most popular fixed length camera cranes. It can be assembled at different lengths and is easily transported.

<b>Facts.</b>	Max. Lens Height:	32'9" (Version 10).
	Max. length of arm:	30'6" (Version 10).
	Total weight without camera:	Max. 1322 lbs (depending on set-up).
	Max. camera weight:	99 lbs (depending on set-up).
	Remote head:	Stanton Head, 3 axes: Pan, tilt and roll (Dutch roll 120 degrees). Accepts other remote heads as equipped with Mitchell mount.
	Control of remote head:	Joystick.
	Dolly:	Four-wheel steering, tracks incl. track wheels available. Alternatively, can tripod can be used.
	Operating range:	Approx. 13' x 13' (depending on set-up and swivel range).
	Features:	HD Monitors (broadcast reference monitor, camera preview monitor, swivel monitors) . Intercom system Clearcom with base station, beltpacks and headsets. Red light on camera arm, on the swivel monitors and on the operating station.
	Power Consumption:	Approx. 500 W
<b>Connectors.</b>	2 cables with BNC plug:	1 for program image, 1 for camera preview.
	3 cables with XLR plug:	2 x intercom for listening & speaking, 1 for red light.
	2 power cables:	1 x 220 V Schuko on the operating station with its own 16 A-fuse.

## The views.



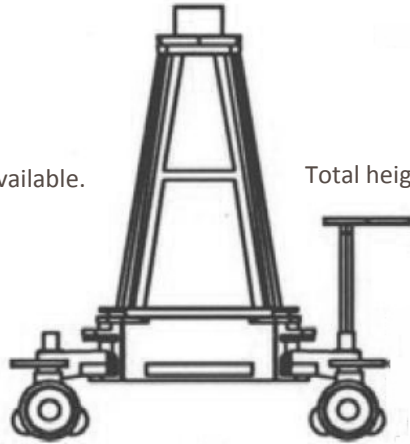
Version „1“	Length of arm: 8'5"	Lens Height: 12'3"
Version „2“	Length of arm: 11'0"	Lens Height: 15'3"
Version „3“	Length of arm: 12'6"	Lens Height: 16'8"
Version „4“	Length of arm: 15'9"	Lens Height: 19'7"
Version „5“	Length of arm: 17'6"	Lens Height: 21'2"
Version „6“	Length of arm: 20'8"	Lens Height: 24'1"
Version „7“	Length of arm: 22'5"	Lens Height: 25'6"
Version „8“	Length of arm: 25'8"	Lens Height: 28'5"
Version „9“	Length of arm: 27'4"	Lens Height: 30'0"
Version „10“	Length of arm: 30'7"	Lens Height: 33'0"

The views.

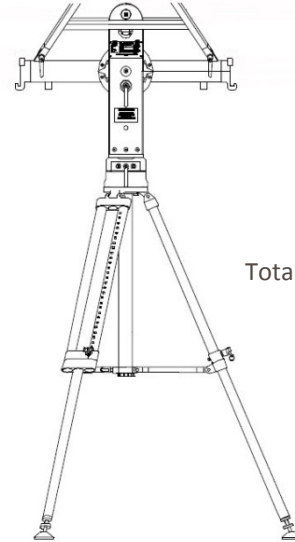
Length and width including wheels: 4'1''

Track wheels available.

Total height: 4'5''



**Panther Dolly / Rail dolly**



Total height: 5'6''

**Tripod**

**Contact.**

OMD GmbH  
Optimale **Medien**Dienstleistungen  
Paradiesstrasse 208b  
12526 Berlin (Germany)

Fon: +49-30-67 89 55 01

Fax: +49-30-67 89 55 02

eMail: [info@omd-gmbh.de](mailto:info@omd-gmbh.de)

Web: [www.omd-gmbh.de](http://www.omd-gmbh.de)



[www.camera-crane.com](http://www.camera-crane.com)

**Legal Notice.**

Managing Director: Mr. Maik Böhmer  
Local Court: Berlin-Charlottenburg  
Company Register Folio: HRB 138959  
Tax number: 37/461/31482  
VAT identification number: DE277097845