



Telescopic camera crane **Supertechno 30**

Telescopic camera crane **Supertechno 30**

The camera crane **Supertechno 30** is the most popular telescopic camera crane. Horst Burbulla received an Academy Award of Merit, Class 1, for the innovative development of this system in 2005. Together with our partner, we also offer this system for moving shots in commercials or movies.

Facts.

Max. Lens Height:	30'
Max. Length:	39'
Max. Telescope Speed:	9'1" per second (incl. speedbox)
Min. Telescope Speed:	3'3" per hour
Telescope range:	22'8"
Max. angle of elevation of the arm:	60 degrees (max. camera height 30')
Max. arm tilt angle:	57 degrees (max. Camera depth 20'9" max)
Crane weight without camera:	2640 lbs
Remote head:	Z-Head; 3 axes: Pan, tilt and roll (max. camera weight: 80 lbs). Accepts other remote heads as equipped with Mitchell mount.
Control of remote head:	Joystick, PanBar system (Studio camera controller) or handwheel.
Dolly:	Four-wheel steering with telescopic column. Tracks incl. track wheels available
Operating range:	Approx. 13' x 13' (depending on swivel range).
Features:	HD Monitors (broadcast reference monitor, camera preview monitor, swivel monitors). Intercom system Clearcom with base station, backpacks and headsets. Red light on camera arm, on the swivel monitors and on the operating station. Rain cover available for outdoor shooting.
Power Consumption:	Approx. 1.0 kW to 1.5 kW.

Connectors.

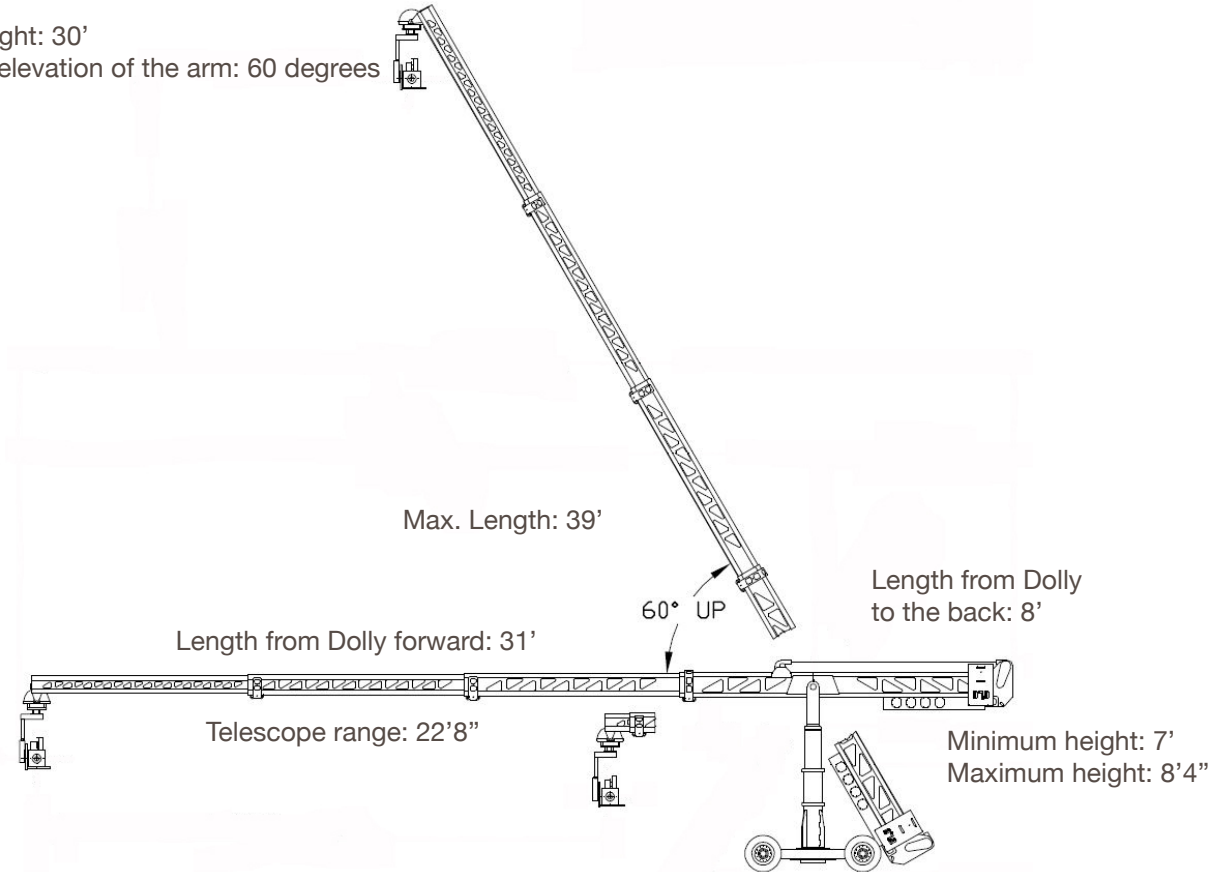
2 cables with BNC plug:	1 for program image, 1 for camera preview.
3 cables with XLR plug:	2 x intercom for listening & speaking, 1 for red light.
2 power cables:	1 x 220 V Schuko on the operating station and 1 x 220 V Schuko at the camera crane, each with their own 16 A-fuse.

Telescopic camera crane **Supertechno 30**

The views.

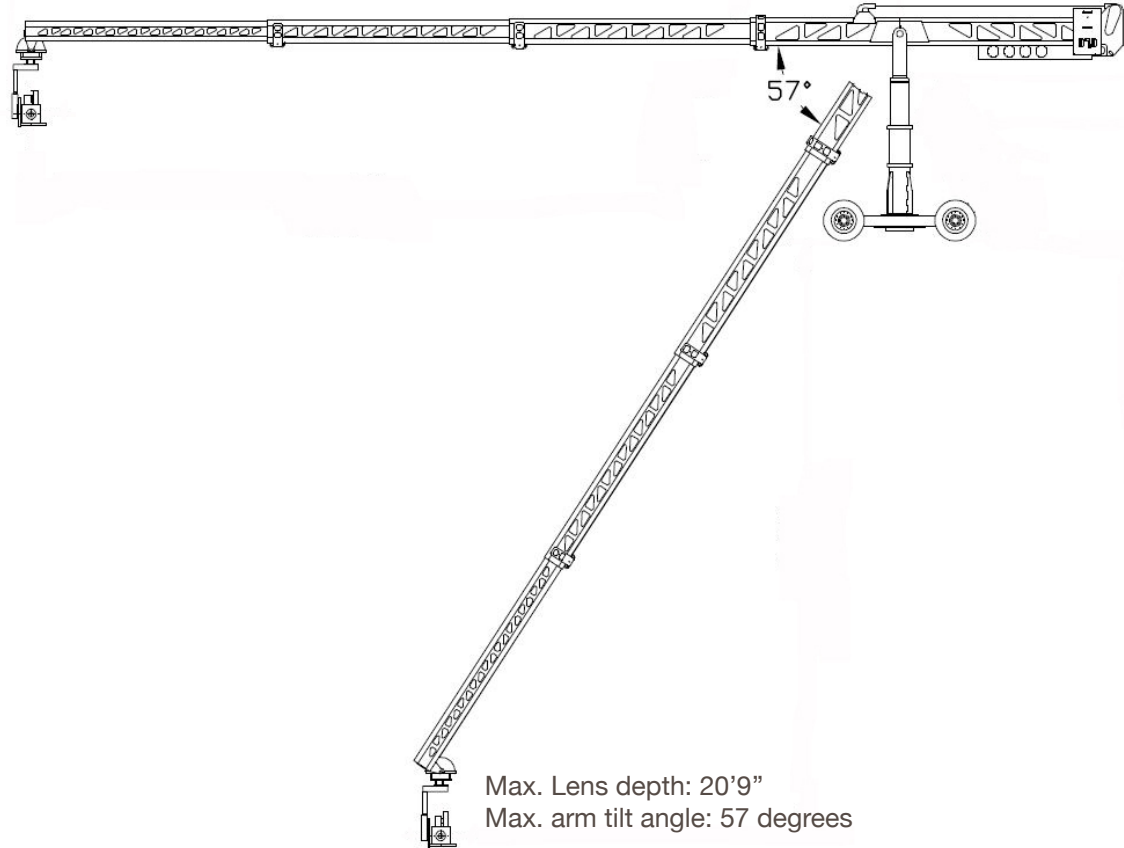
Max. Lens Height: 30'

Max. angle of elevation of the arm: 60 degrees



Telescopic camera crane **Supertechno 30**

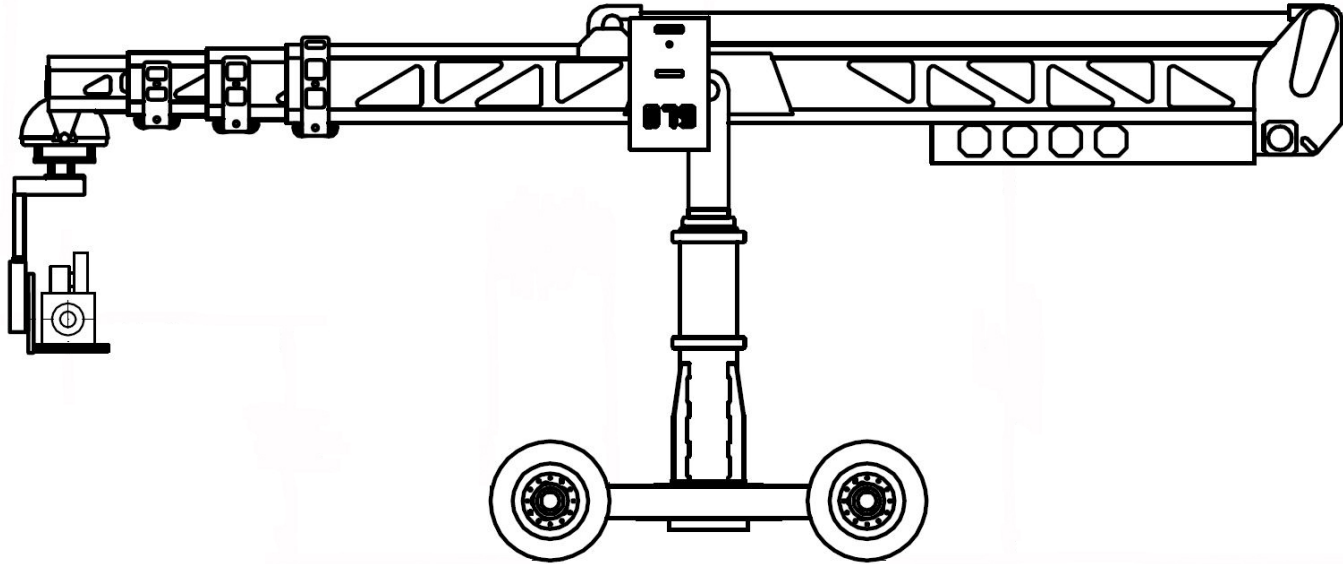
The views.



Telescopic camera crane **Supertechno 30**

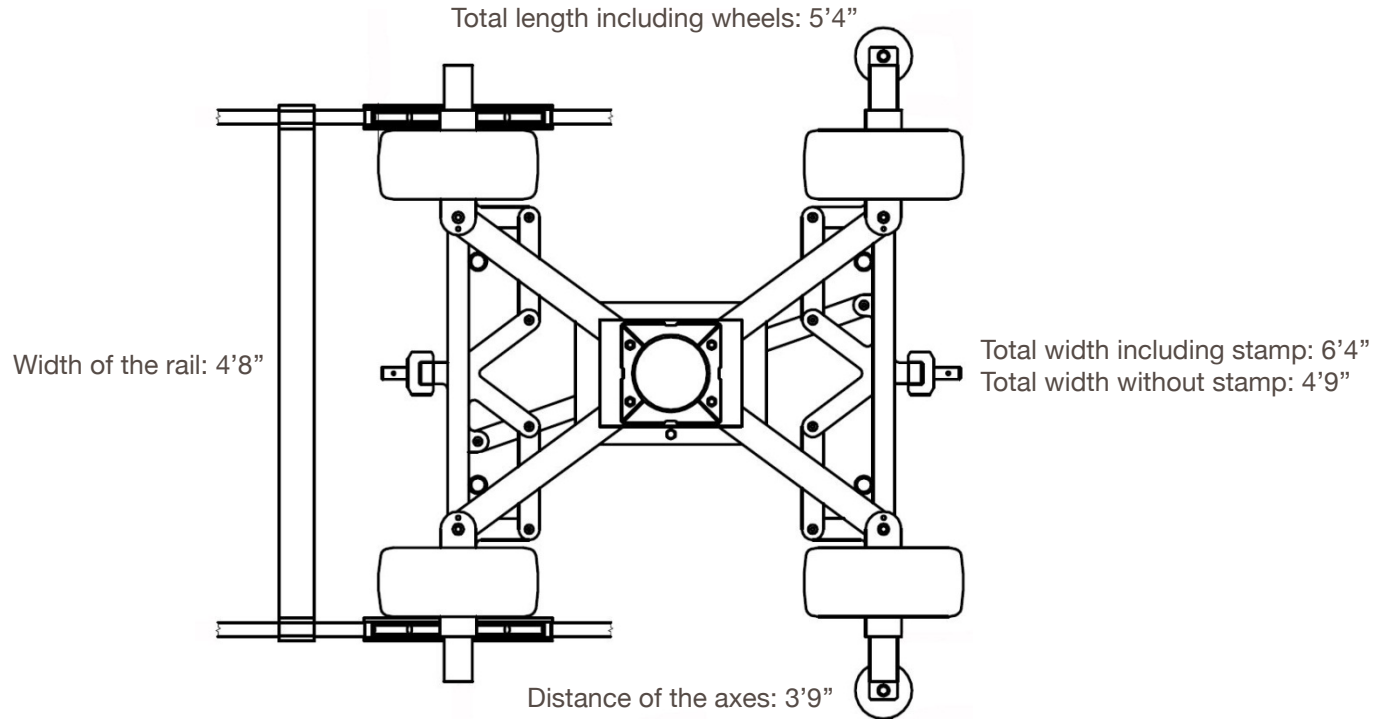
The views.

Minimum Length: 17'



Telescopic camera crane **Supertechno 30**

The views.



Contact.

OMD GmbH
Optimale **Medien**Dienstleistungen
Paradiesstrasse 208b
12526 Berlin (Germany)

Fon: +49-30-67 89 55 01

Fax: +49-30-67 89 55 02

eMail: info@omd-gmbh.de

Web: www.omd-gmbh.de



www.camera-crane.com

Legal Notice.

Managing Director: Mr. Maik Böhmer
Local Court: Berlin-Charlottenburg
Company Register Folio: HRB 138959
Tax number: 37/461/31482
VAT identification number: DE277097845